

Mercury Free Silver oxide batteries

SR626 (376)



Specifications

Average Service Capacity(to 1.2 volts) 28 mAh
(Rated capacity at 30k ohms at 23°C)

Terminals Flat contacts

Average weight 0.40 g

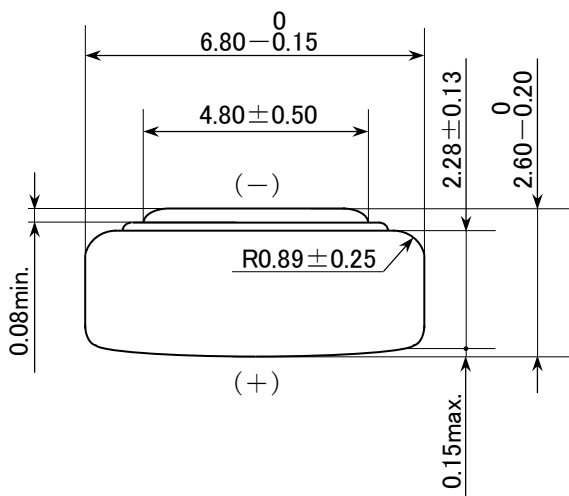
Characteristics

Minimum OCV 1.55 volts

Minimum -10°C CCV (200 ohms / 5 seconds) 0.90 volts

Minimum Capacity (30k ohms to 1.2 volts) 25.2 mAh

Dimension



Discharge curve

