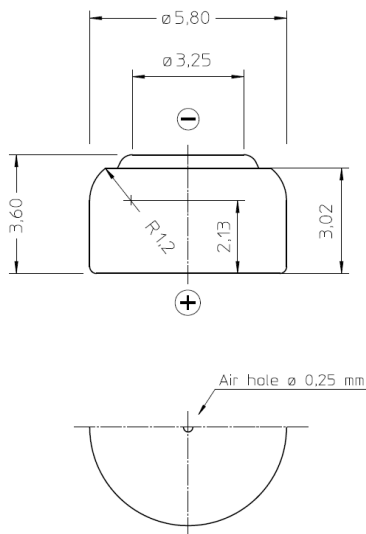


## Data sheet p10 mercury free



### Specifications:

Chemical system:	Zinc / Air
Nominal voltage:	1,45 V
Standard Capacity:	100 mAh**
High Rate Pulse Capacity:	90 mAh*
High Rate Pulse Energy:	120 mWh*
Impedance:	max. 12 $\Omega$ @ 1kHz
Weight:	approx 0,3 g
Volume:	approx 0,085 ccm
Storage:	10-30°C / 20-80 % r.h.
Operating:	0-45°C / 25-70 % r.h.
Short Exposition:	-10-65°C / 5-95 % r.h.

\*IEC High Power to 1,05 V at 21°C / 60% r.h.  
according to IEC 60086-2 Feb. 2011 (12th Edition)

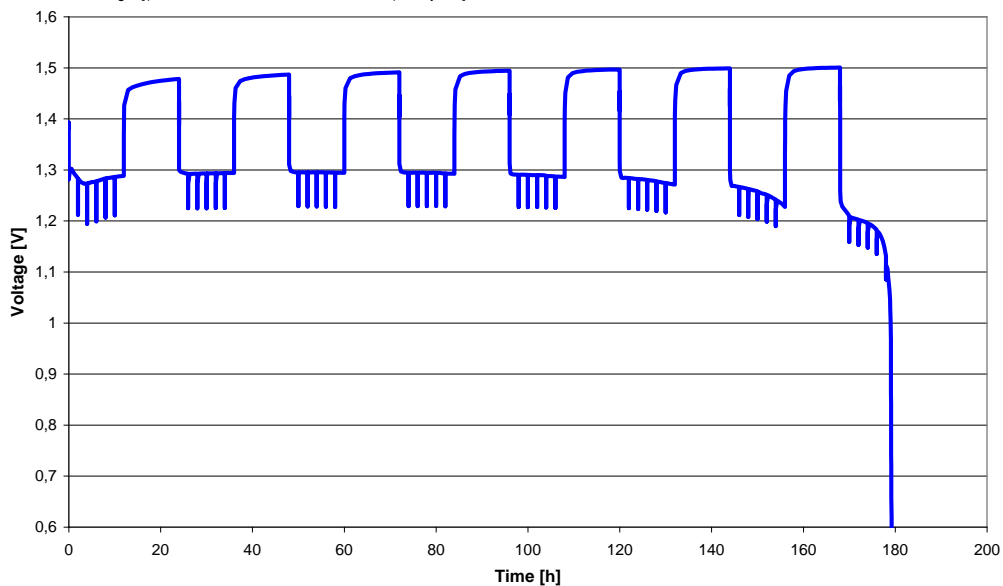
\*\*3000 Ohms 12h/day to 1.1V at 21°C / 60% r.h.

### Dimensions:

according to IEC 60086-2 Feb. 2011 (12th Edition)  
IEC: PR 70

## Typical discharge characteristics at 21°C / 60% r.h.:

High-Power discharge test - ambient Temp.: 21°C +/-2, 60%RH +/- 5  
discharge: [(1mA Base Load/ 5mA/ 100ms each 2h) \* 6 cycles] Rest 12h



VARTA Microbattery GmbH  
Daimlerstraße 1  
D 73479 Ellwangen  
Tel.: +49 7961 921 0  
www.varta-microbattery.com

This data is subject to change without prior notice. Performance information is typical. Contact VARTA for latest information. March 2011 (3B)