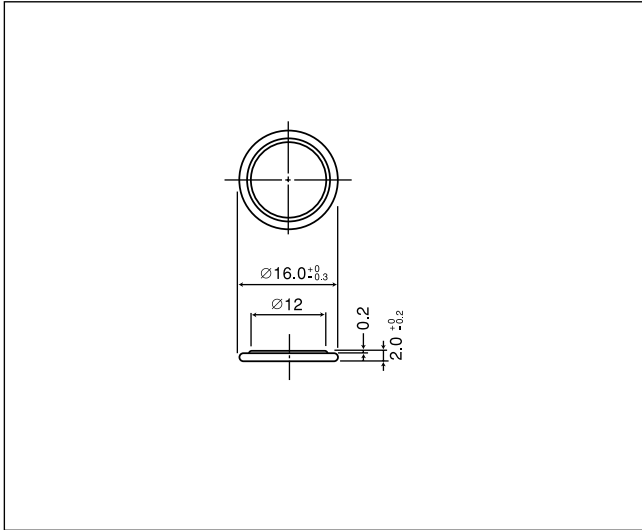


CR1620

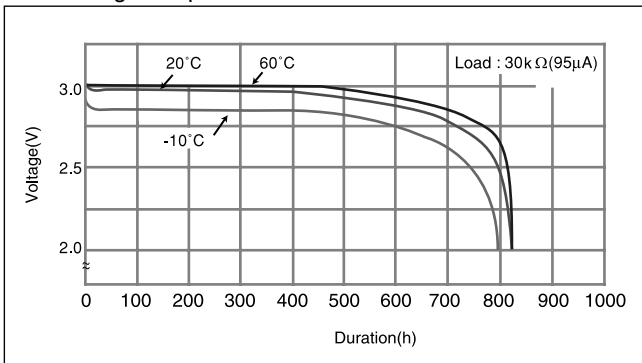
■ Dimensions(mm)



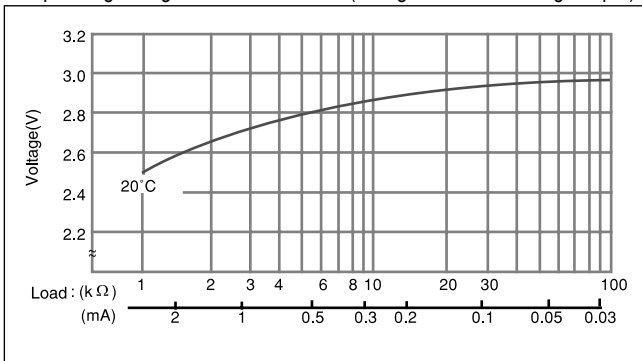
■ Specification

Nominal voltage(V)	3
Nominal capacity(mAh)	75
Continuous drain(mA)	0.1
Operating temperature(°C)	-30 to +60

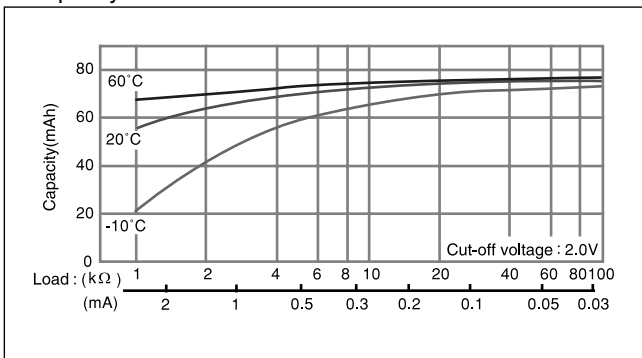
■ Discharge temperature characteristics



■ Operating voltage vs. load resistance(voltage at 50% discharge depth)

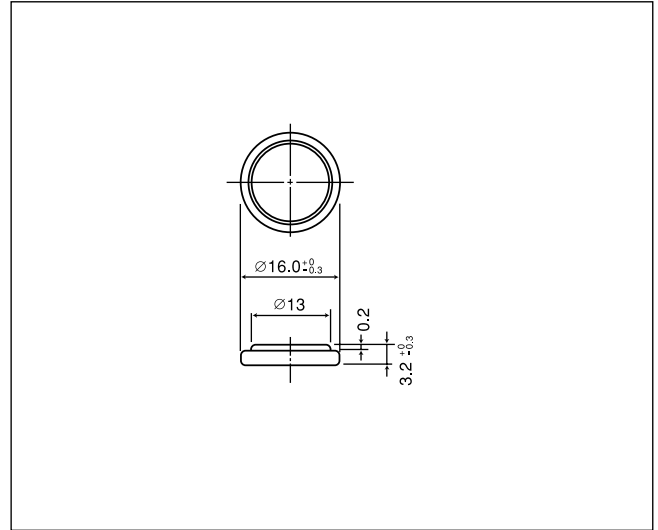


■ Capacity vs. load resistance



CR1632

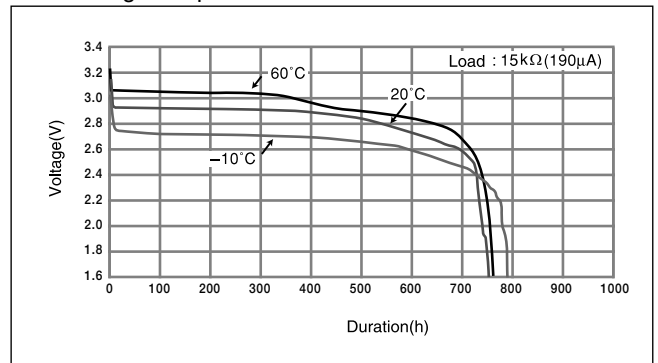
■ Dimensions(mm)



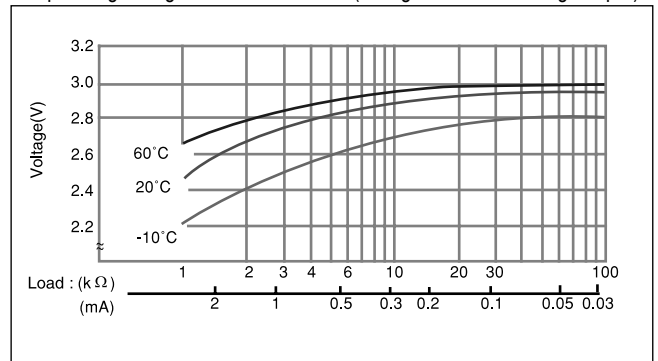
■ Specification

Nominal voltage(V)	3
Nominal capacity(mAh)	140
Continuous drain(mA)	0.1
Operating temperature(°C)	-30 to +60

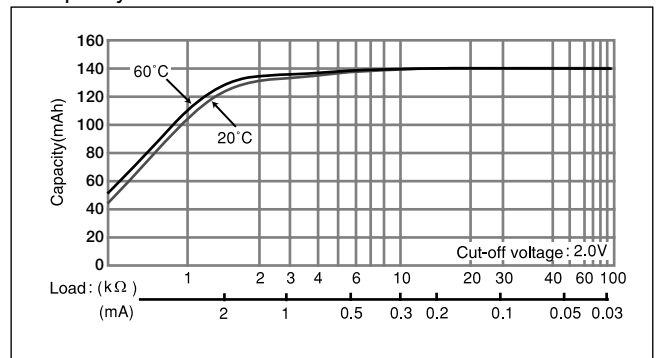
■ Discharge temperature characteristics



■ Operating voltage vs. load resistance(voltage at 50% discharge depth)



■ Capacity vs. load resistance



* The data in this document are for descriptive purposes only and are not intended to make or imply any guarantee or warranty.